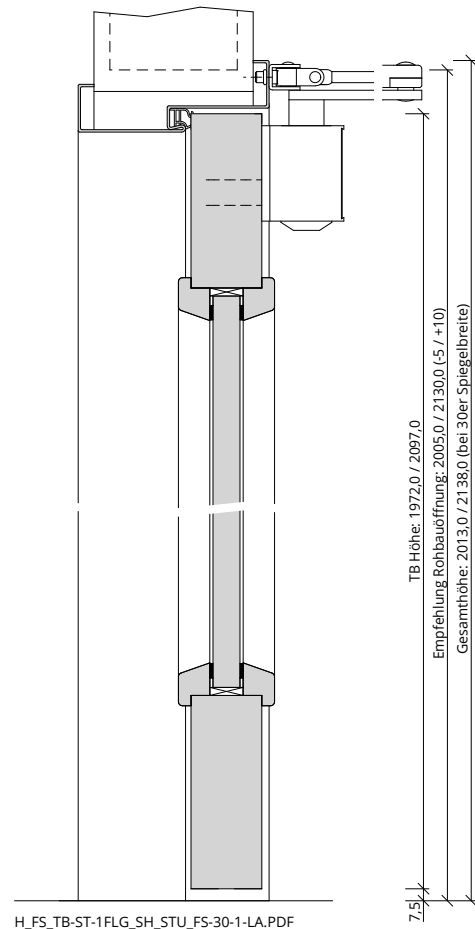
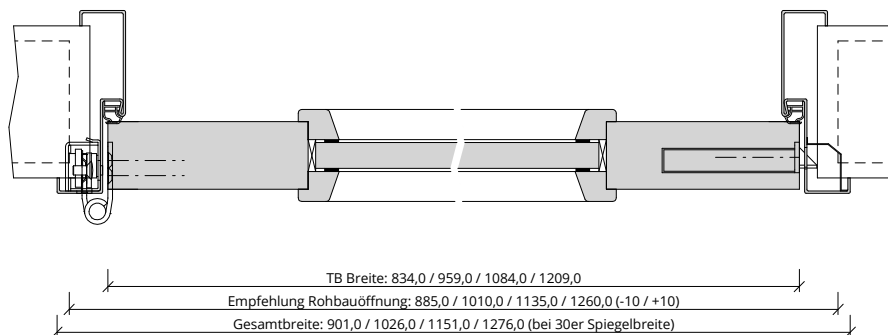


A_FS_TB-ST-1FLG_SH_STU_FS-30-1-LA.pdf



H_FS_TB-ST-1FLG_SH_STU_FS-30-1-LA.PDF



Q_FS_TB-ST-1FLG_SH_STU_FS-30-1-LA.pdf

